



**american  
security  
equipment  
company**

**CORPORATE OFFICE & WAREHOUSE**  
228 East Star of India Lane, Carson, CA 90746  
Phone (310) 538-4670 \* Fax (310) 538-9932 \* (800) 421-1096

**EAST COAST OFFICE & WAREHOUSE**  
30 Chapin Road 1207, Pine Brook, New Jersey 07058  
Phone (973) 575- 4433 \* Fax (973) 575-5504 \* (800) 526-1060

Http://www.amseco-kai.com / e-mail: info@amseco-kai.com

## Electronic Chime with Volume Control Model CM-4

### Description

The CM-4 is a versatile high quality electronic chime, designed with selective chime sounds that can be activated with a conventional push button switch operation.

The chime can be triggered with a positive or negative signal and can be power with a 12VAC or 12VDC supply.

The CM-4 will generate a steady non-stop chime sound when triggered with an uninterrupted signal.

Specially designed electronic circuitry with a volume control that produces a sound output of 0 ~ 85 decibels.

This versatile chime can be used as a door announcer, stand alone chime, or can be use in combination with other devices that provide a positive or negative signal.

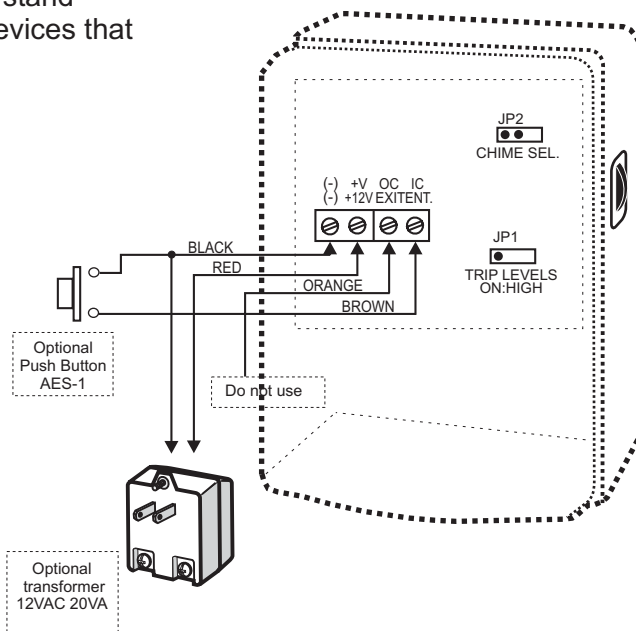


**Electronic Chime Model CM-4**

### Features

- Fully integrated electronic chime.
- Attractive designer white housing.
- Choice of 2-distinctive chime sounds.
- Easily accessible volume control.
- Low profile design.
- Selective Hi/Lo frequency sound.
- Low power consumption.
- Selective Negative or Positive chime trigger.
- Screw terminal for easy wiring.
- Operates with 12VAC or 12VDC.

### Wiring Diagram



### Specifications

Operating Voltage ( AC/DC )	Current Draw ( mA )	Volume Control ( dB )	Selective Chime Sound ( JP2 )	Terminal ( - )	Terminal ( + )	Terminal (OC/Exit)	Terminal (IC/ Enter)	Trigger Signal ( JP1 )
12V	Stand by:17 Activated: 400	0 ~ 85	ON: Hi frequency OFF: Lo frequency	Ground	Positive	Trigger input (+/-) Ding	Trigger input (+/-) Ding-Dong	ON: High OFF: Low

The CM-4 is designed for indoor use with a temperature operating range of 14° F ~ 122° F ( -10° C ~ 50° C )

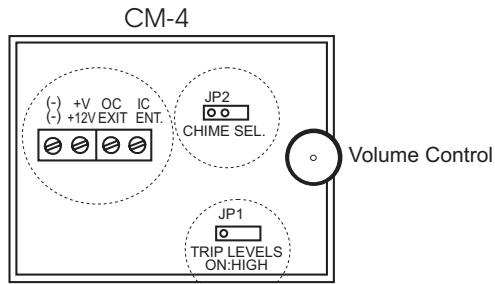




Fig. 4

### TERMINAL STRIP

- (-) : Negative terminal (connect the power supply negative lead here).
- +V/+12V : Positive terminal (connect the power supply positive lead here).
- OC/EXIT : Generates a “DING” sound when trigger with a positive or negative signal.
- IC/ENT : Generates a “DING DONG” sound when trigger with a positive or negative signal.

**WARNING:** Observe polarity when powering the chime with a 12VDC power supply.



### JP2 CHIME SELECTOR

The “JP2” jumper changes the tone of the chime from high frequency to low frequency. ON  OFF 

ON : High frequency (DING DONG).  
 OFF : Low frequency (DING DONG) factory setting.

Note: The change of frequency will not affect the “DING” sound when the OC/EXIT terminal is triggered.

### JP1 TRIP LEVELS

The “JP1” jumper changes the signal for triggering the chime. ON  OFF 

ON : A high or positive signal is required to trigger chime.  
 OFF : A low or negative signal is required to triggered the chime (factory setting).

Note: A steady uninterrupted signal to either trigger terminals will create a constant sound.

### Dimensions:

